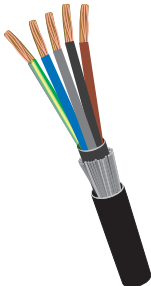


FIXED WIRING THREE-PHASE CABLE COLOUR CHANGES

Old	Alphanumeric identification		Harmonized	
Was permitted until 31 March 2006			Required from 1 April 2006	
Red	Line 1	L1	Line 1	Brown
Yellow	Line 2	L2	Line 2	Black
Blue	Line 3	L3	Line 3	Grey
Black	Neutral	N	Neutral	Blue

An example of colour core changes in a five-core armoured cable:



The colour of the circuit protective conductor remains green-and-yellow.

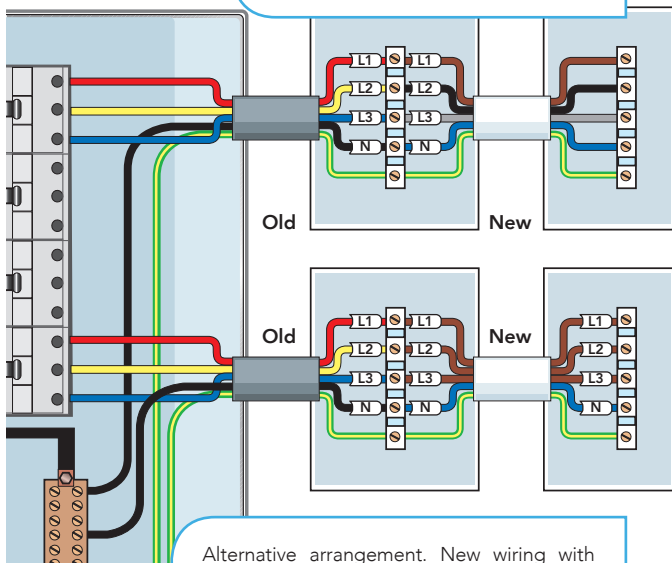
Notes

- (1) This Guide applies to three-phase cable harmonized colour changes. Reference should be made to Regulation Group 514 and Appendix 7 of *BS 7671: 2018*.
- (2) Where cables were identified by colour, use of the old colours of cables was required in installation work commencing on site before 31 March 2004, and was still permitted in installation work commencing on site up until 31 March 2006.
- (3) Similarly use of the harmonized colours of cables was permitted for installation work commencing on site after 31 March 2004 and was required for installation work commencing on site after 31 March 2006.
- (4) Except where there is no possibility of confusion, unambiguous marking needs to be provided at the interface between conductors (514.1.3).
- (5) Cores of cables should be identified by colour and/or lettering and/or numbering (as shown overleaf) (514.3.1).
- (6) Another alternative arrangement of marking connections between existing and new cables is by using coloured sleeves.
- (7) If wiring alterations are made to an installation using cables with the harmonized cable colours but there is also wiring to previous versions of the regulations, a warning label must be affixed at or near the appropriate distribution board with the wording as shown overleaf (514.14.1).

FIXED WIRING SINGLE-PHASE CABLE COLOUR CHANGES

Examples of an extension or alteration to an existing three-phase installation.

New wiring in harmonized colours (brown, black, grey line conductors, blue neutral and a green-and-yellow circuit protective conductor).



A warning label is required
(514.14.1)

CAUTION

This installation has wiring colours to two versions of BS 7671.

Great care should be taken before undertaking extension, alteration or repair that all conductors are correctly identified.

